

# MINNESOTA DEPARTMENT OF TRANSPORTATION LYON COUNTY

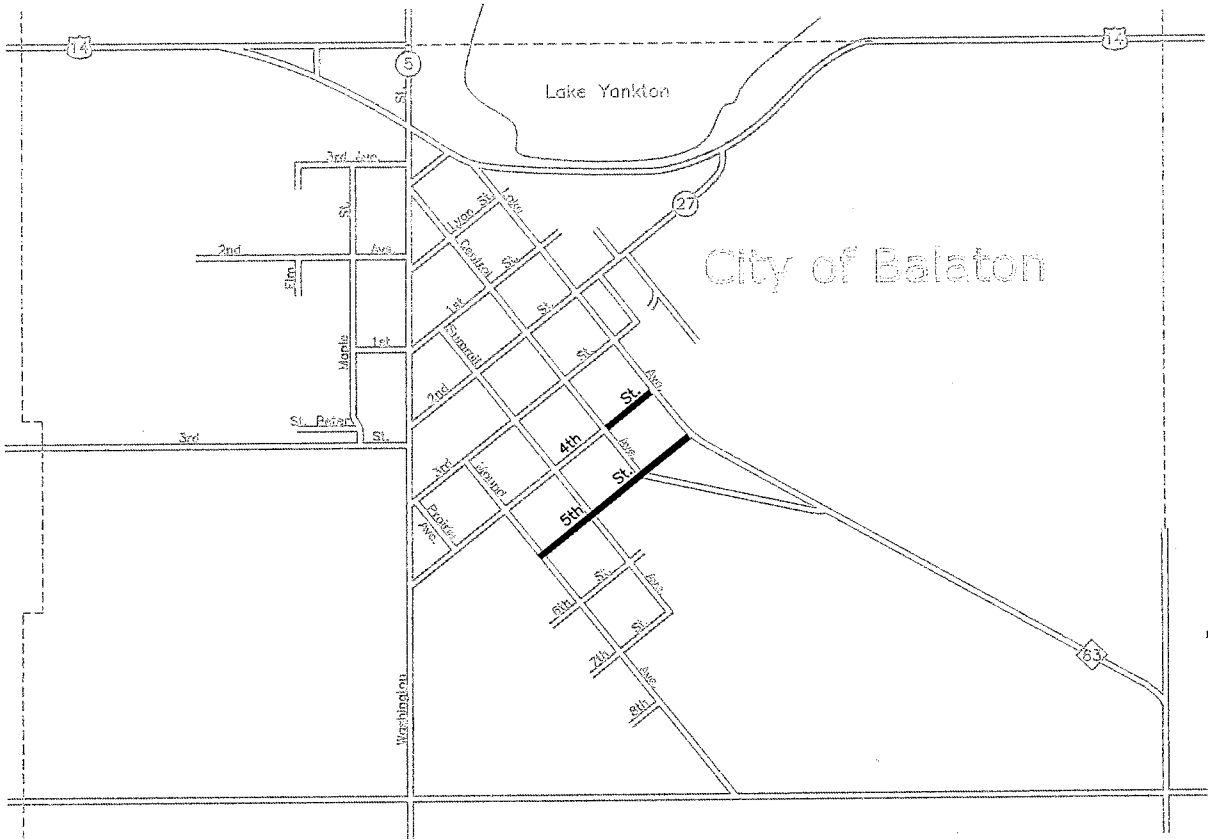
CONSTRUCTION PLAN FOR: BITUMINOUS OVERLAY

COUNTY PROJECT: 17:01

GROSS LENGTH	1670.00	FEET	0.316	MILES
BRIDGE LENGTH	0.000	FEET	0.000	MILES
EXCEPTIONS LENGTH	0.000	FEET	0.000	MILES
NET LENGTH	1670.00	FEET	0.316	MILES

SHEET NO. 1	TITLE SHEET
SHEET NO. 2	ESTIMATED QUANTITY SHEET
SHEET NO. 3	TYPICAL SECTIONS SHEETS

THIS PLAN CONTAINS 3 SHEETS



I HEREBY CERTIFY THAT THIS PLAN WAS PREPARED BY ME OR UNDER MY DIRECT SUPERVISION AND THAT I AM A DULY REGISTERED PROFESSIONAL ENGINEER UNDER THE LAWS OF THE STATE OF MINNESOTA.

Signature: *Aaron VanMoer* Typed Name: Aaron VanMoer  
Approved County Engineer

Date: 2/15/17 License No.: 50428

THESE PLANS AND PROVISIONS APPROVED BY THE CITY OF BALATON

*Wayne Stoff* Date: 2-14-17  
Mayor: City of Balaton

*Roberta A. Juchnick* Date: 2-14-17  
Attested by: City of Balaton Clerk

GOVERNING SPECIFICATIONS  
THE 2016 EDITION OF THE MINNESOTA DEPARTMENT  
OF TRANSPORTATION "STANDARD SPECIFICATIONS  
FOR CONSTRUCTION".

ITEM NO.	ITEM	UNIT	LOCAL	TOTAL ESTIMATED QUANTITY
2021.501	MOBILIZATION	LUMP SUM	1.00	1.00
2051.501	MAINTENANCE & RESTORATION OF HAUL ROADS	LUMP SUM	1.00	1.00
1 2232.501	MILL BITUMINOUS SURFACE (1.0")	SQ YD	660.00	660.00
2 2360.501	TYPE SP9.5 WEAR COURSE MIXTURE (3,B)	TON	560.00	560.00
2504.602	ADJUST GATE VALVE	EACH	8.00	8.00
2506.522	ADJUST FRAME AND RING CASTING	EACH	3.00	3.00

CONSTRUCTION NOTES

- MILL INTERSECTIONS AS DIRECTED BY THE ENGINEER.
- RAKE BITUMINOUS SURFACE ALONG CURB AND GUTTER (NO MILLING REQUIRED).

BASIS FOR ESTIMATED QUANTITIES

WEAR COURSE MIXTURE

BITUMINOUS MATERIAL FOR MIXTURE (MAXIMUM DENSITY)  
110LBS./SQ.YD./INCH OF DEPTH

TACK COAT

BITUMINOUS MATERIAL FOR TACK COAT .05 GALS. PER SQ.YD.

STANDARD PLATES AS APPROVED BY THE FEDERAL HIGHWAY  
ADMINISTRATION SHALL APPLY ON THIS PROJECT.

STANDARD PLATES

PLATE NO.	DESCRIPTION
8000 I	STANDARD BARRICADES
9000 E	APPROACHES AND ENTRANCES

CERTIFIED BY:



LIC. NO. 50428

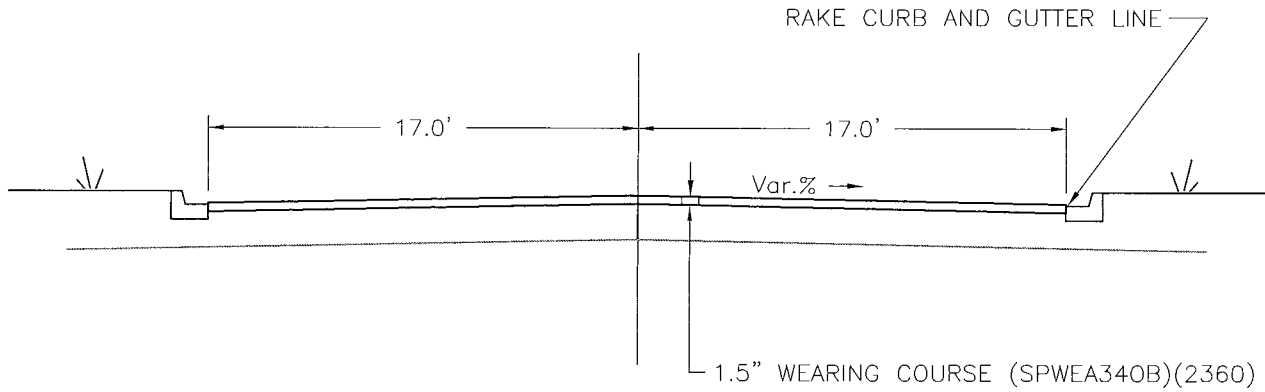
LICENSED PROFESSIONAL ENGINEER

County Project 17:01

SHEET 2 OF 3 SHEETS

4th Street - between Central and Lake Ave.

1275.00'



5th Street - between Mound and Lake Ave.

395.00'

